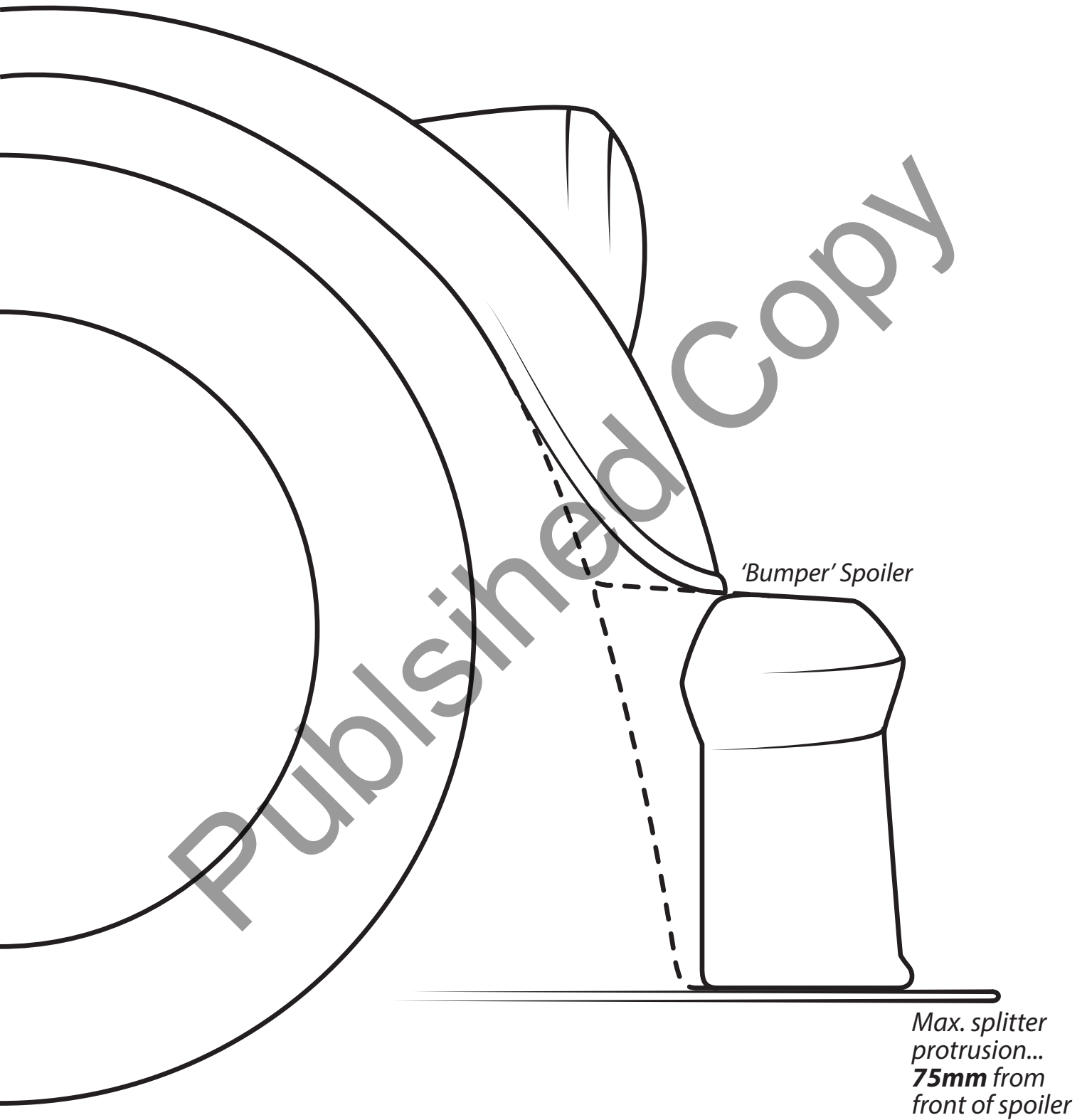
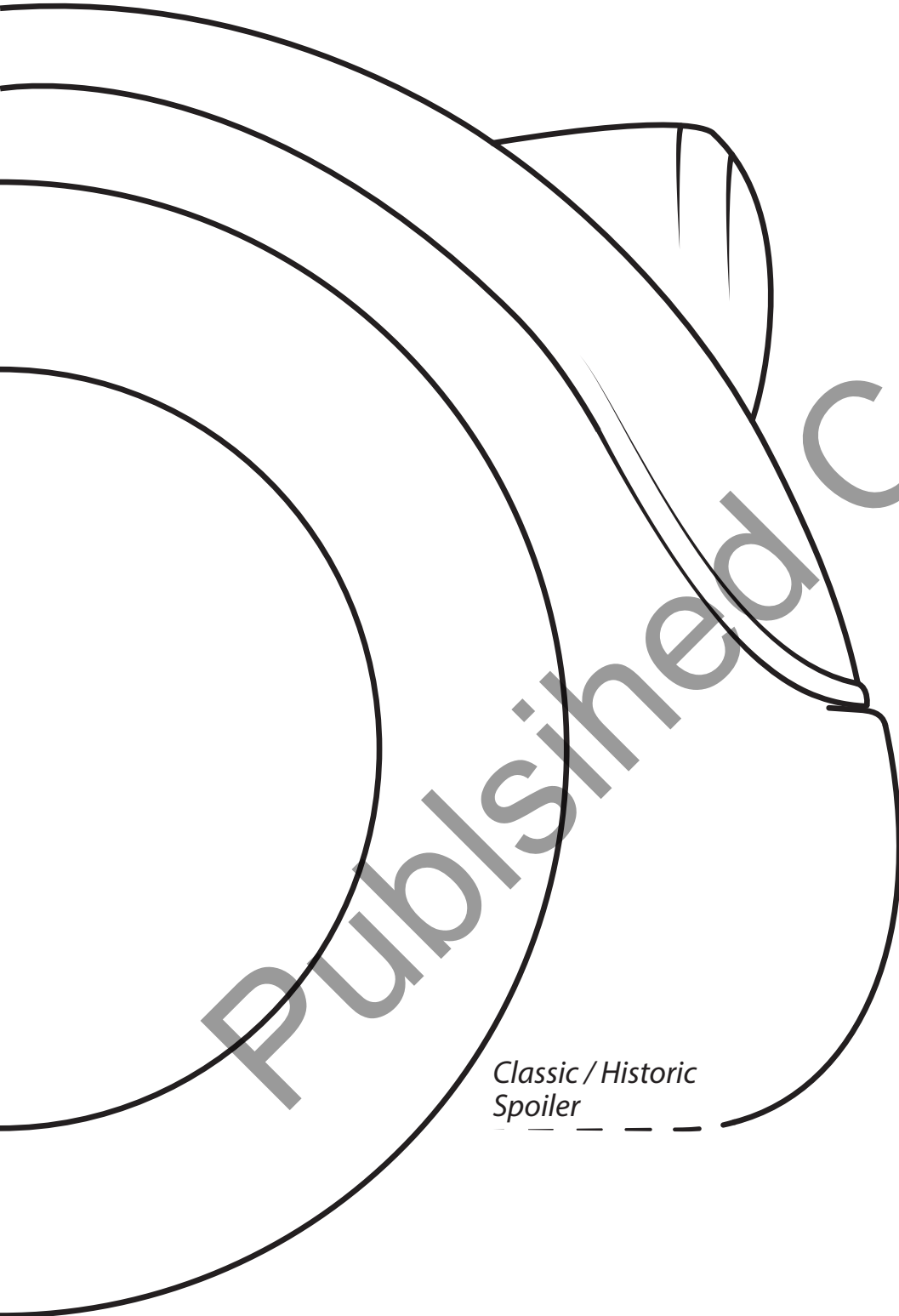


Appendix 3.
Drawing 1.



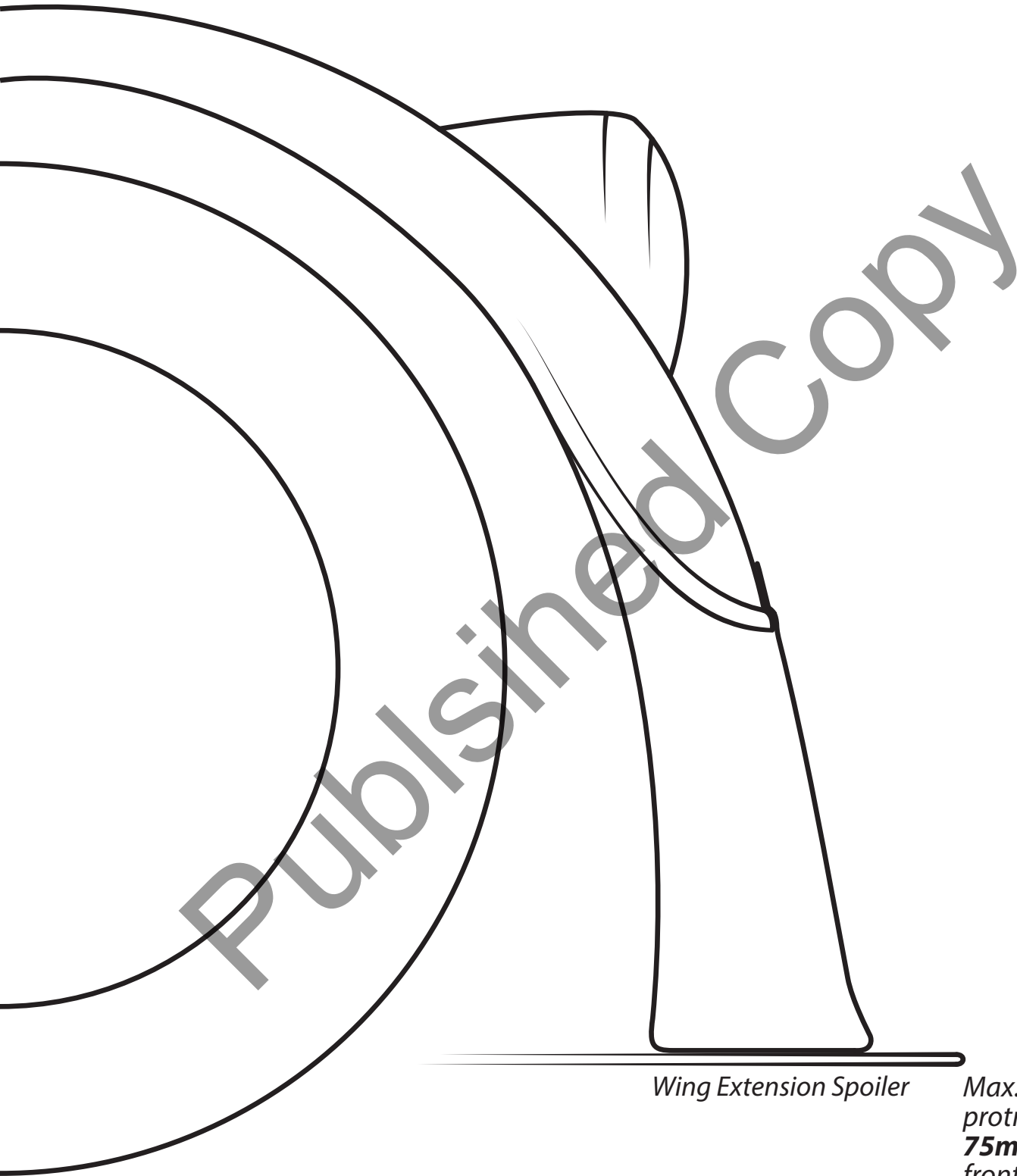
Appendix 3.
Drawing 2.



*Classic / Historic
Spoiler*

Published Copy

Appendix 3.
Drawing 3.



Wing Extension Spoiler

*Max. splitter
protrusion...
75mm from
front of spoiler*